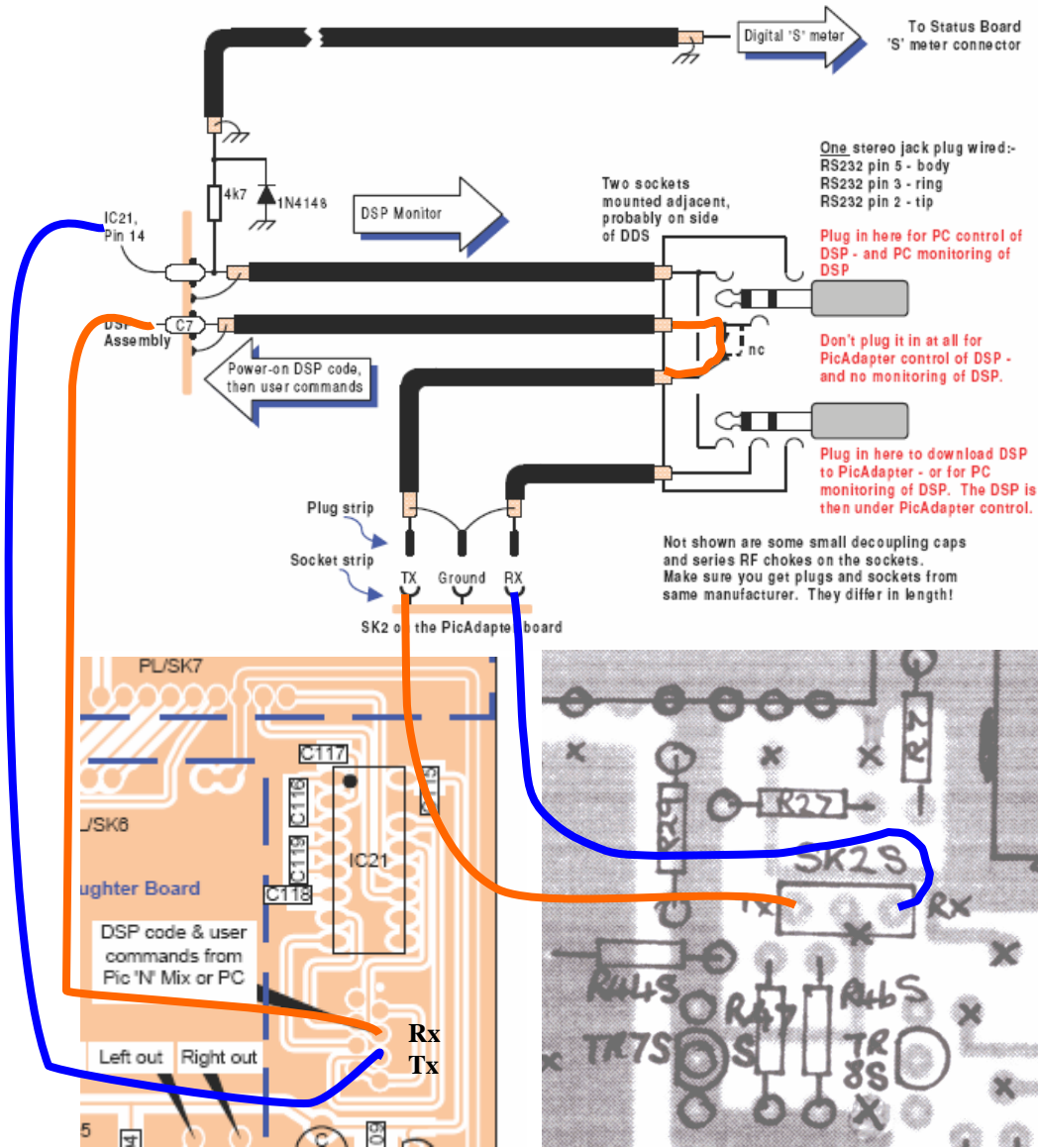


Wiring of RS232 lead to one stereo jack plug.
 It plugs into one of 2 sockets (one of which needs to be switched) to give alternative functionality.

Also shown is the connection to the DSP-controlled digital 'S' meter on the Status board.



DSP Module

Pic-N-Mix